

## Sensing Edges



### Features

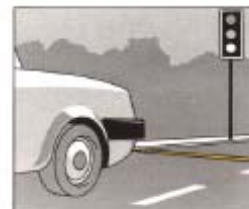
- Custom configurations
- Wide range of models
- Choice of colours
- Optional sensitivities
- Variety of mounting options
- Easy installation
- Fail-safe wiring available
- Durable construction
- Customised profiles to suit customer specification

Tapeswitch sensing edges are press-at-any-point, momentary, normally-open contacts designed to protect personnel and equipment. They are typically mounted on the leading edge of a moving object, such as a powered door, such that the sensor is activated when it meets an obstruction. As the sensing edge deforms, a stop signal is initiated and the edge acts as a 'cushion' to allow the moving parts to come to rest exerting excessive force on the obstruction. The depth of this cushion is known as the over-travel of the sensing edge. Tapeswitch offer a range of different profiles, sensitivities and a choice of mounting channel to suit various application requirements.

Due to the versatility of our product we can also provide customised profiles to meet the customer's

### Typical applications

- Commercial vehicles  
*tail lifts*  
*bumpers*
- Automated doors, shutters & gates
- Vehicle management  
*car park barriers*  
*counting & alert systems*
- Scissor lifts
- Transport doors
- Cargo loading vehicles
- Conveyors

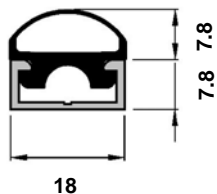


Where will  
you use  
yours!

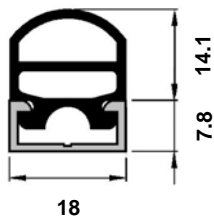


**Sensing Edge Profiles** (special profiles available on request — please contact us to discuss your application)

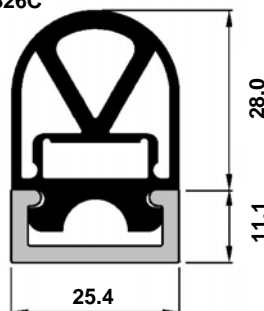
TS6



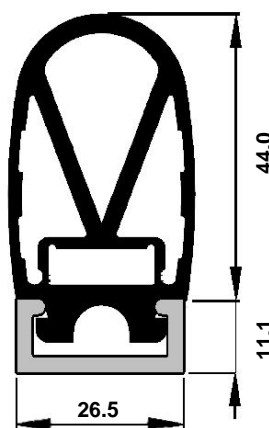
TS16



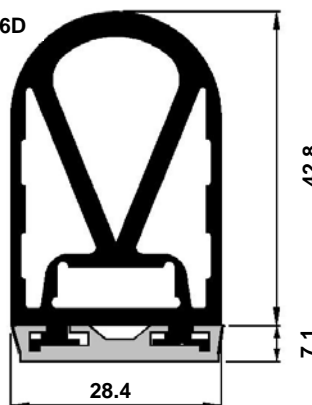
TS26C



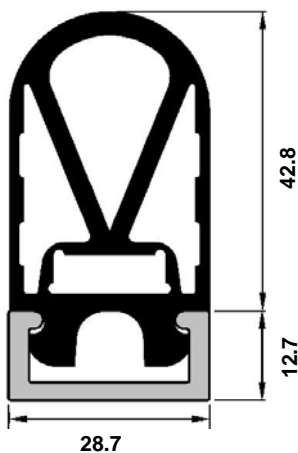
TS28



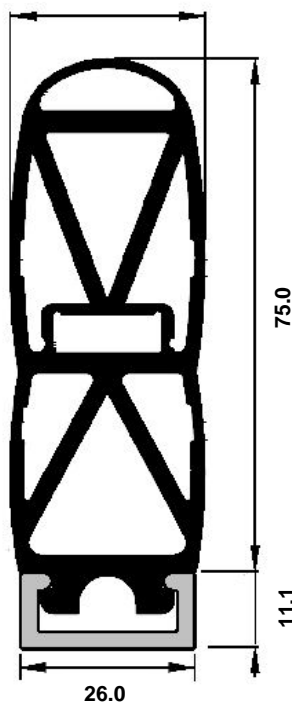
TS46D



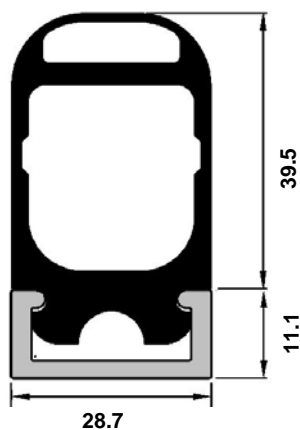
TS48



TS29



TS47



## Lead Configurations

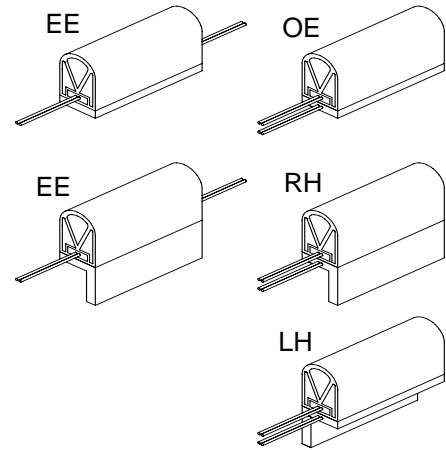
Tapeswitch sensing edges are supplied with two core leads connected at each end of the switch. There are several lead exit positions that can be specified depending on the application.

**EE** one lead from each end

**OE** both leads from one end

**RH** both leads from right hand end

**LH** both leads from left hand side



Note: The last two options apply only to sensors fitted with angled mounting channel.

## Mounting Options

A full range of aluminium and plastic channels are available to suit our range of sensing edges.

## Accessories

End caps are available for the TS6, TS16, TS26, TS28, TS46, TS47, TS48 & TS57 sensing edges.

## Order Code

	XXXX / XXXX / X / X / X / XX / XX / XXXX / X
<b>Edge type</b> e.g. TS46	
<b>Edge length (mm)</b>	
<b>Channel style</b> (F-flat, A-angle)	
<b>Channel material</b>	
<b>Edge colour</b> (B-black, R-red, Y-yellow)	
<b>Lead type</b> (FS- fail-safe, SL- single lead)	
<b>Lead exit</b> (OE-one end, EE-each end, RH-right hand, LH-left hand)	
<b>Lead length (mm)</b>	
<b>End caps fitted</b> (Y-yes, N-no)	

This is only a sample order code. If you have any special requirements, please contact our sales team.