

Tapeswitch Bumpers

Information Sheet



Features

- Standard Size Range
- UK Manufactured
- Reliable technology
- Waterproof/Weatherproof
- Highly Durable
- Easy installation
- Custom Profiles and sensitivities
- Safety Standard Pld if used with PRSU/4

The Tapeswitch Bumper range is manufactured using the highly successful ribbon-switch technology. Using the same press-at-any-point actuation and durability given by the sensing edges with extra cushioning and over-travel for the heavier duty applications. The standard range will offer a choice of profile sizes manufactured to your length specification. The aluminium mounting plate will be equipped with external fixings ready for retro-fitting to your application. A choice of colours is also available to compliment your application. As well as the standard range we can offer a complete bespoke/customised solution. Optional sensitivities, colours, shapes and mounting options can be achieved. For more details on the standard or custom range, contact our sales team.

Technical Specification

Colour	Black/Red/Yellow
Outer material	Urethane Rubber
Base Plate Dimensions	100mm or 150mm or custom
Depth	100mm or 150mm or custom
Actuation force	<100N (80mm test piece)
Inactive area	None
Protection rating	IP65
Weight	Approx.4kg/m
Operating temperature	-20°C to +50°C
Operating voltage	24V d.c.
Operating current	1A
Power consumption	6VA

Markets

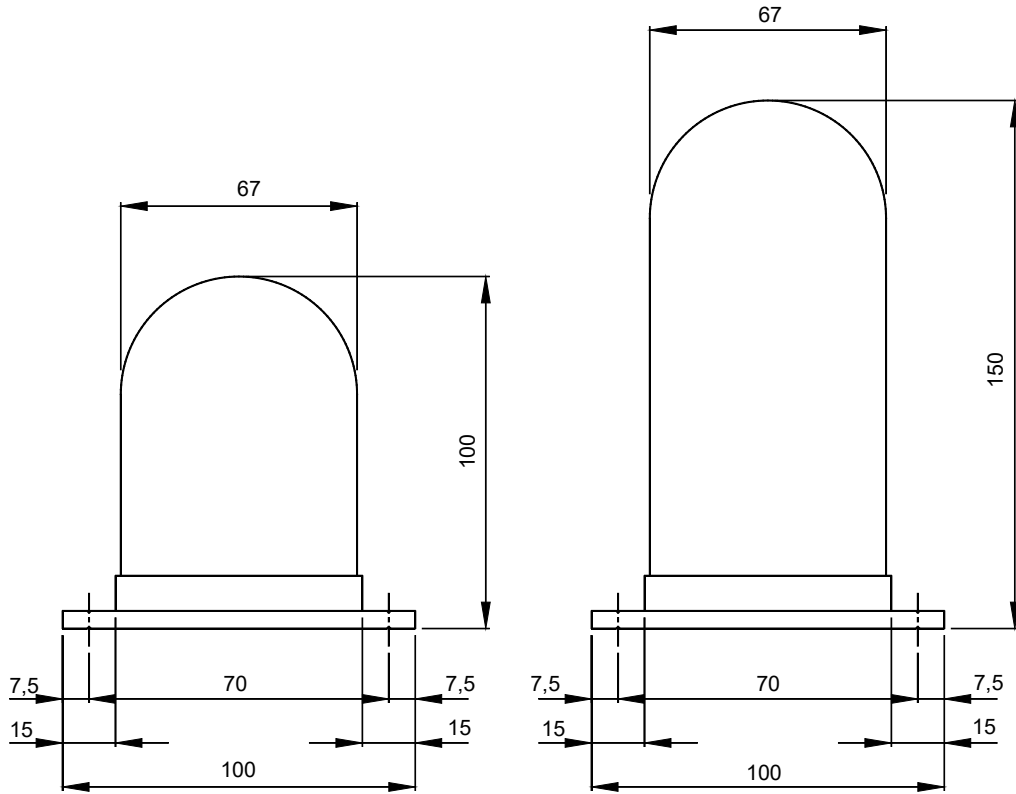
- Automated guided vehicles (AGV)
- Mobile elevated platforms (MEWP)
- Shipping yard cranes
- Airport ground vehicles and platforms/stairs/tunnels/air bridge shoes
- Fork Lift Trucks/ Hand-trucks

Applications

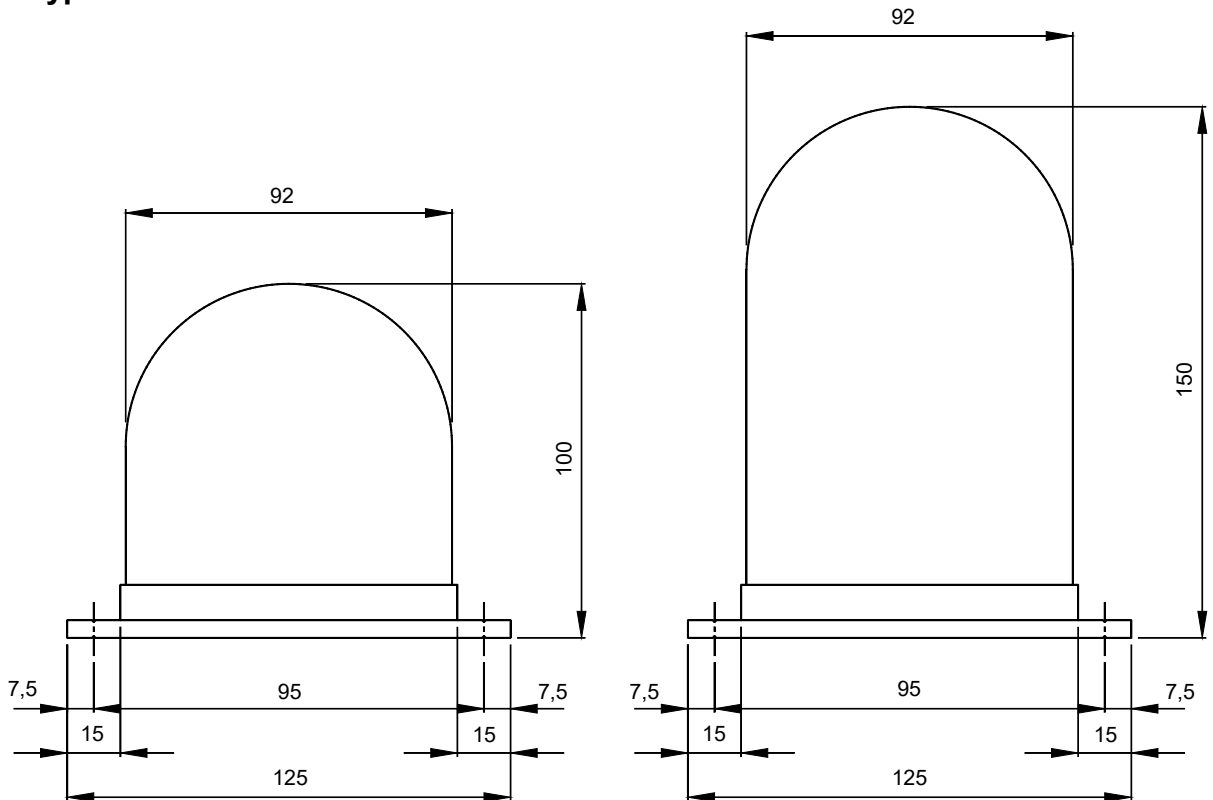
- Automotive
- Materials Handling
- Paper/printing/packageing
- Hospitals
- Freight
- Aerospace

Information Sheet

Bumper Type: B100



Bumper Type: B125



Information Sheet

Order Code

BXXX /XXXX / XXX / X / XXX / XX / M8 / XXX

Bumper Type:

100
125

Length (mm):

Up to 2000mm
Over 2000mm (Custom Design)

Bumper Depth (mm):

100mm
150mm

Colour:

Black
Red
Yellow

Configuration:

SL - 2 wire
FS - 4 Wire
SLR - 2 wire with resistor

Lead Exit:

OE - One End
EE - Each End

Cable type:

M8,
Sensor to connector - 300mm
Connector flying lead - 500mm

Resistor Value:

SLR = 8K2 or 6K8*

*When used with PSSR/2 control Unit

